

# Kicoti

B A B Y C A R E

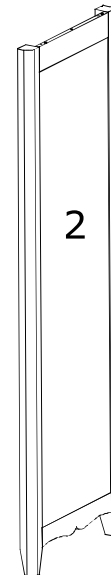
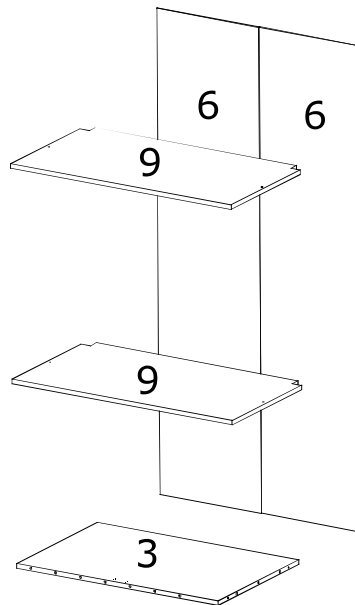
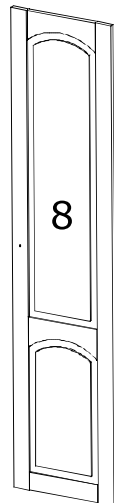
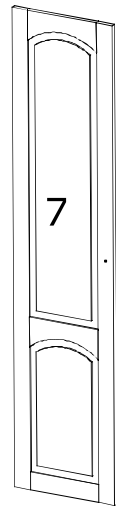
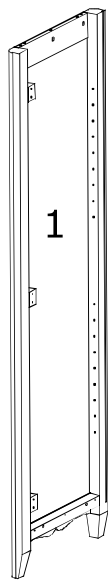
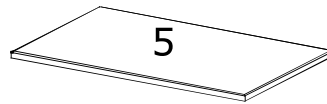
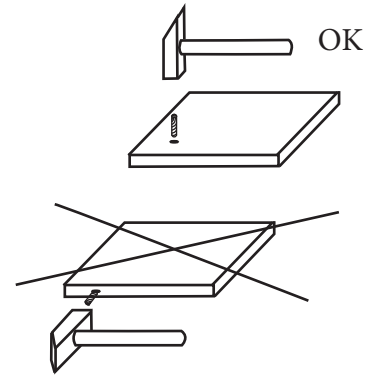
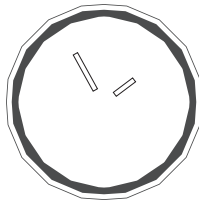
*ASSEMBLY INSTRUCTION*



*WARD CLASSIC*



**BEFORE STARTING, REFER TO THE ASSEMBLING ADVICE IN ANNEXE**



6	8	16	13	28	1	16	1	1	40	4	4	2	6	2

