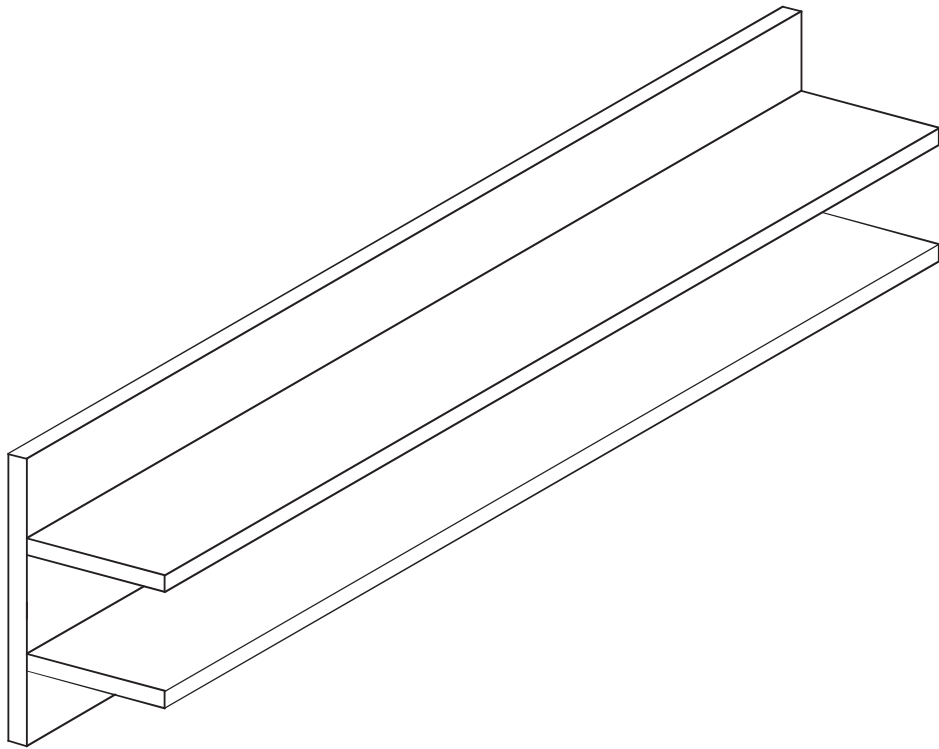


K*i*coti

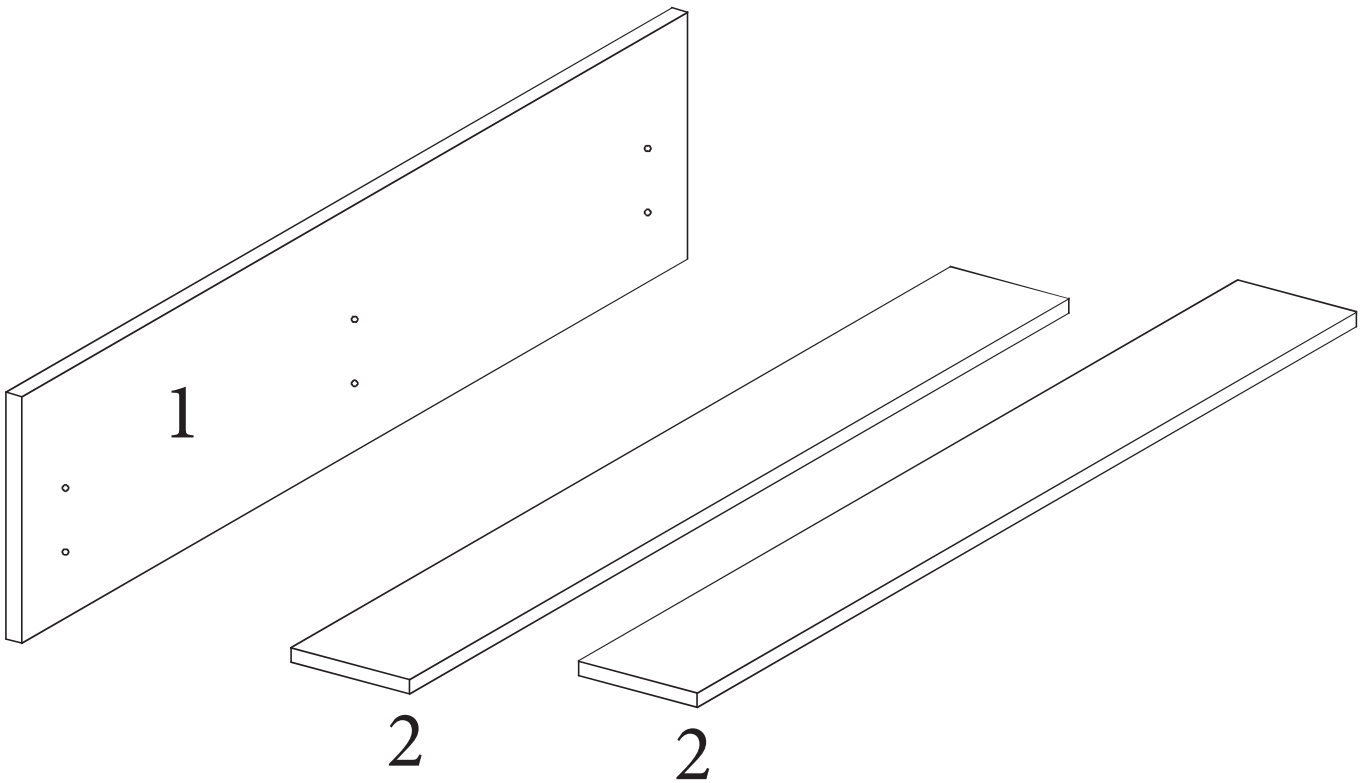
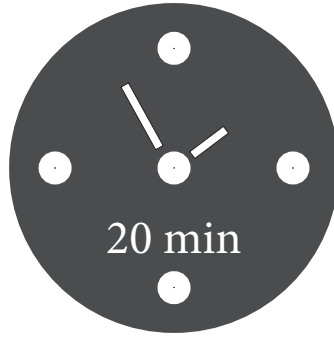
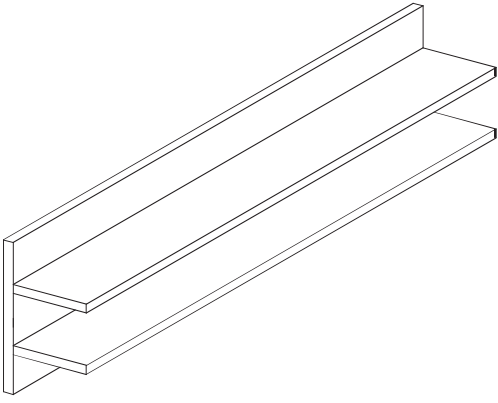
B A B Y C A R E



ASSEMBLY INSTRUCTION



CIRCLE SHELF

BEFORE STARTING, REFER TO THE ASSEMBLING ADVICE IN ANNEXE



| | | |
|----------|---|---|
| Elements |  7x50 |  |
| Qty | 6 | 1 |

