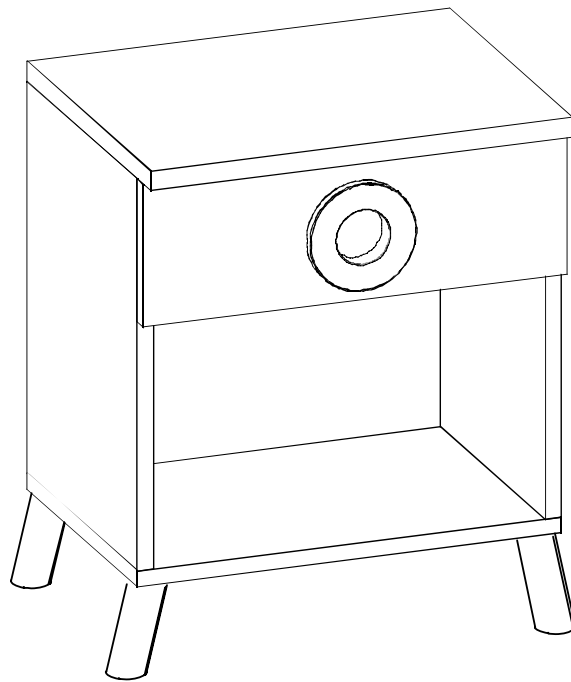


K*i*coti

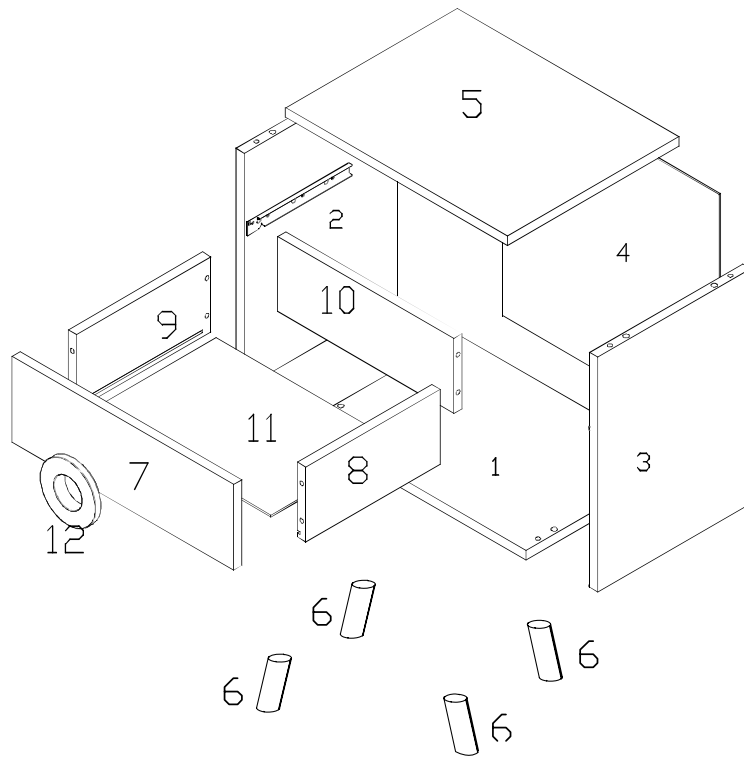
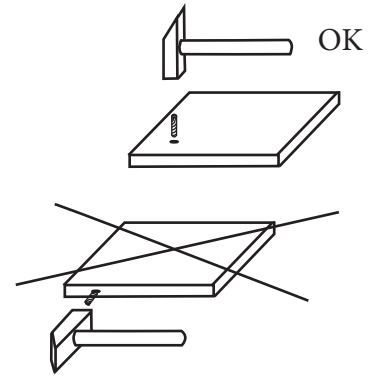
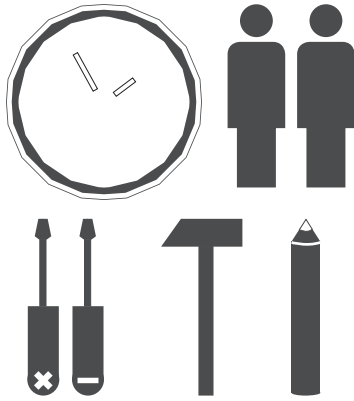
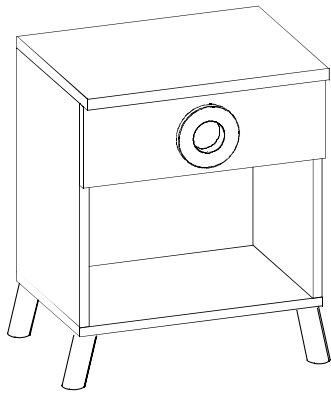
B A B Y C A R E

ASSEMBLY INSTRUCTION

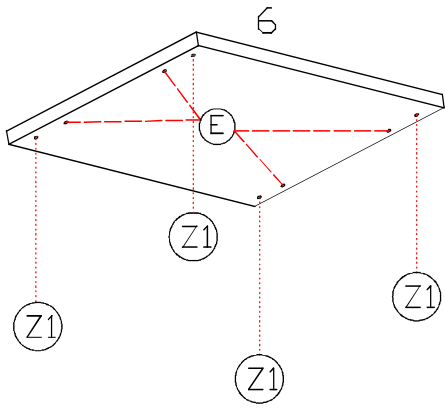


CAB CIRCLE

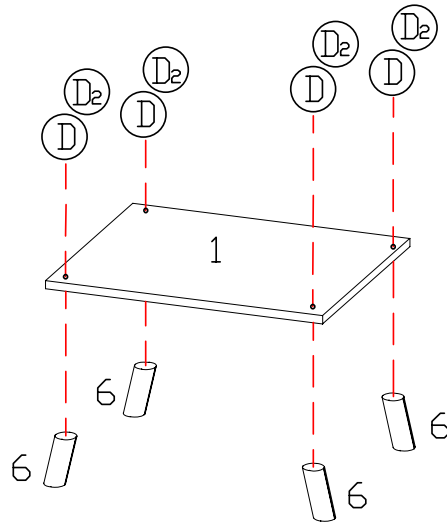
BEFORE STARTING, REFER TO THE ASSEMBLING ADVICE IN ANNEXE



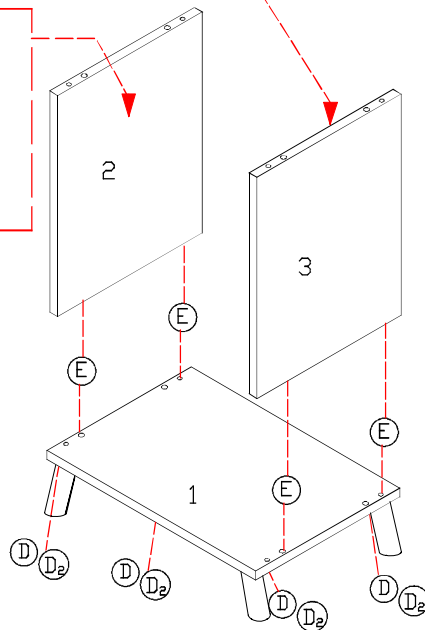
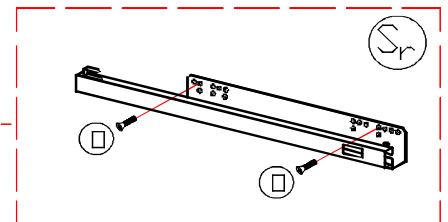
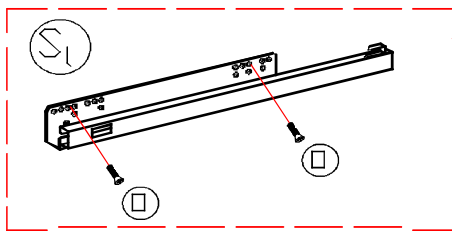
Elements										
Qty	1	16	4	4	8	8	2	4	40	1
	1	1	4							



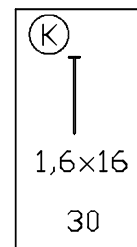
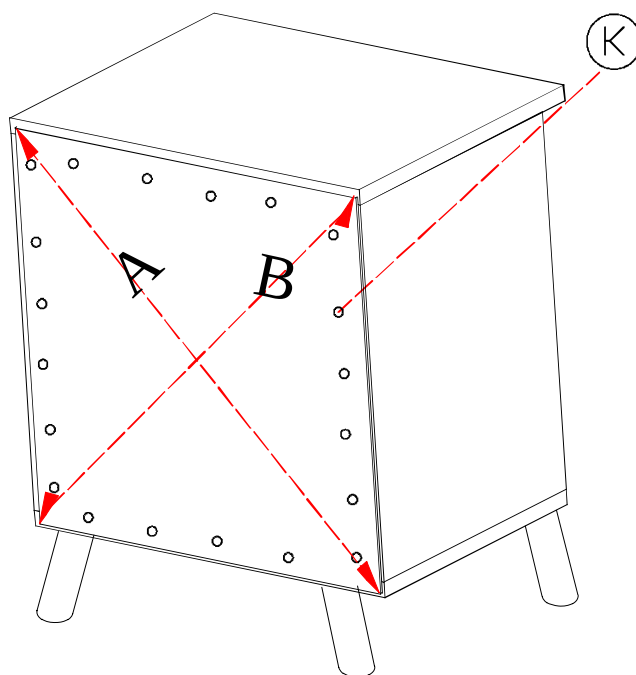
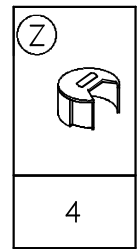
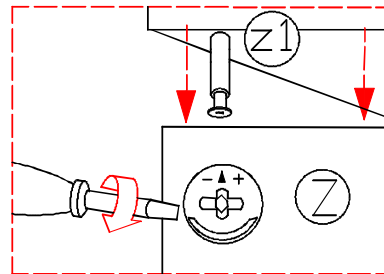
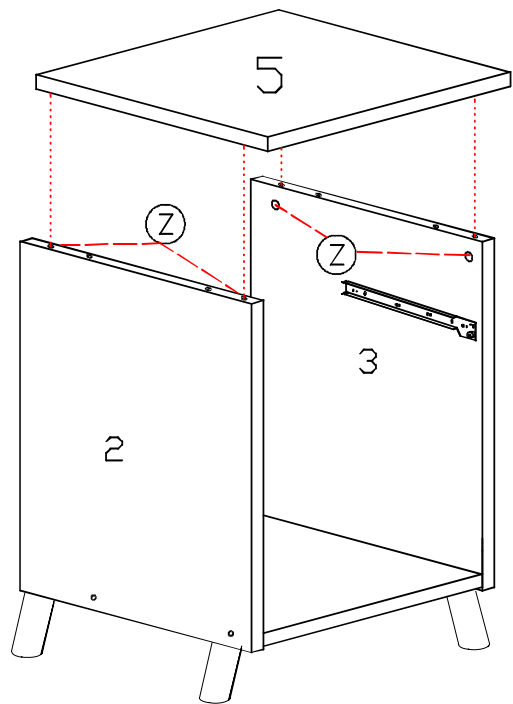
E	Z1
4	4








D ₂	D
4	7x50 4



S ₁	S _r	D
1	1	4
D	D ₂	E
7x50 4	4	4



(D)	(K)	(H)	(E)	(V)
				
7x50	1,6x16	3,5x16		
2	10	2	8	1

